



Part No. 10248

## Extend the Life of your Hydraulic Elevator System!

Avoid hot oil problems like nuisance shutdowns, leveling problems, and oil odor by installing the MEI AOC Oil Cooler.

### Benefits

- Smoother stops and starts
- Extended component life
- Fewer shutdowns
- Overall performance improvement
- Oil filter with sight gauge

### Recommended Applications

- Twin jack holeless applications with two- or three-stage telescopic jacks.
- Heavily used single-stage twin jack holeless projects.
- Roped hydraulic applications with moderate usage and travel exceeding 25 feet.
- Any hydraulic elevator with high usage.

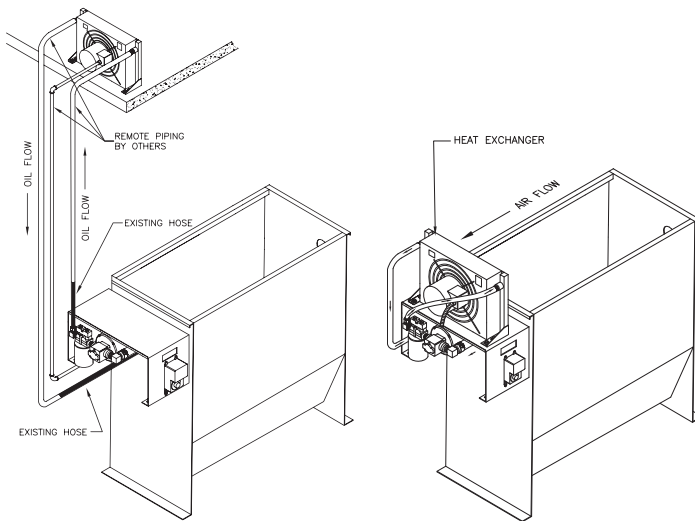
### Specifications:

- 3/4 HP, 115 VAC, 1 phase, 7.2 FLA pump motor  
or 208-230 VAC, 1 phase, 3.6 FLA pump motor
- 3/4 HP, 115VAC, 1 phase, 3.6 FLA 1900 CFM fan motor  
or 208-230 VAC, 1 phase, 1.4 FLA 1900 CFM fan motor
- Heat removal: 17,500 BTU/hr @ 40°F temp delta
- 8 GPM, 75 PSI cast iron pump
- Weighs approximately 140 lbs
- Adjustable thermostat control
- 80db at 3 ft.
- Electrical requirement, 115 VAC, 1 phase, 20amp separate circuit
- 10 micron filter in hydraulic oil line
- Filter head with sight gauge to indicate when the filter needs to be changed
- Heavy gauge frame construction
- Includes all fittings and hardware needed for adjacent-mount installation
- Includes instructions for installation

### How it Works

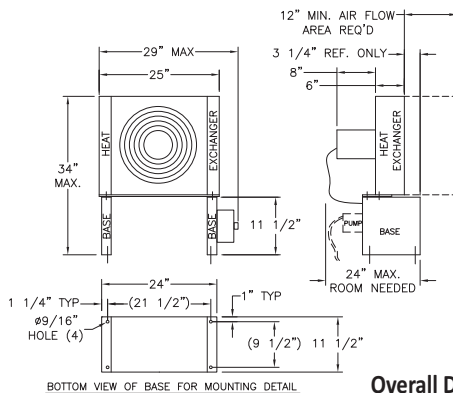
The Oil Cooler can be mounted to the power unit or located in a remote location\*. When the oil temperature in the reservoir reaches a preset limit, it is circulated through the radiator. This process reduces the oil temperature by nearly 40°F, depending on site conditions. The oil is also filtered as it runs through the system, which results in enhanced performance and extended component life. The filter head has a sight gauge to indicate when the filter needs to be changed.

\*Remote location must be within 110 feet horizontally or 55 feet vertically from the power unit. Piping, wiring, and conduit to remote location are not included.



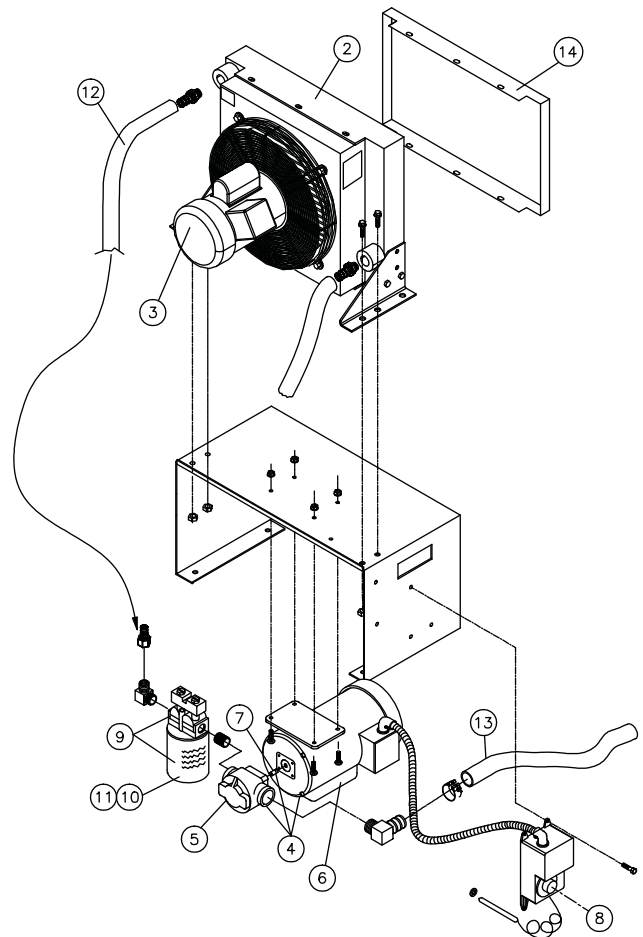
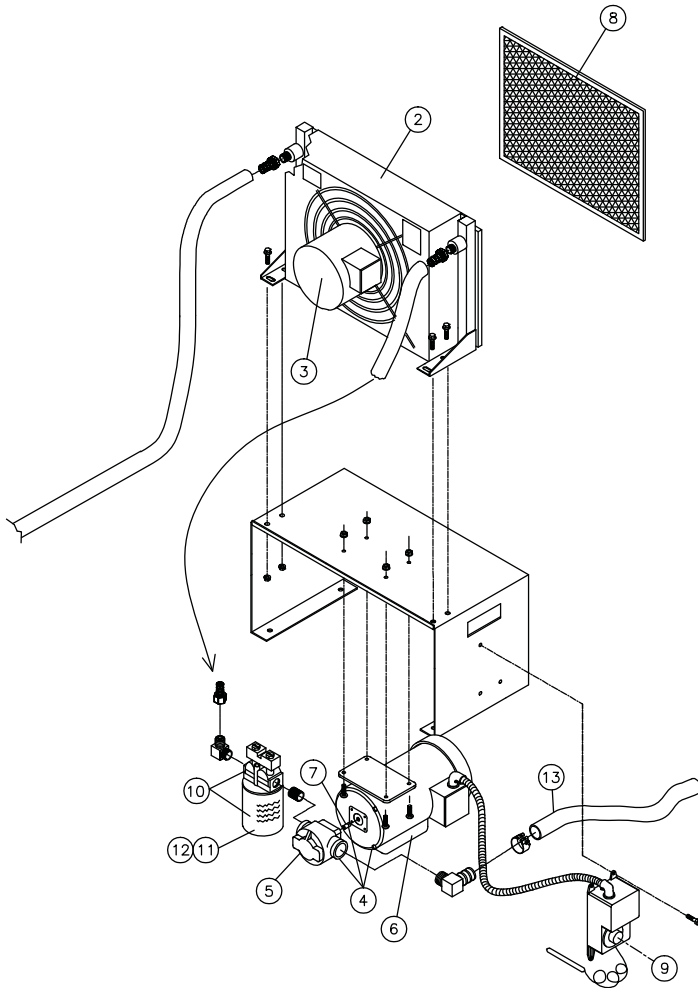
Remote Mount

Direct Mount



Overall Dimensions

This is MEI's Standard Oil Cooler



## AOC - Oil Cooler Parts

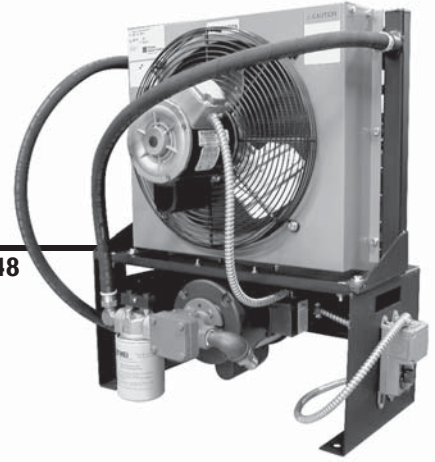
Item	Part No.	Description
	<b>10248</b>	Complete Oil Cooler Assembly - AOC (Direct or Remote Mount)
2	<b>1916</b>	Heat Exchanger and Motor Assembly
3	<b>1463</b>	Motor for Heat Exchanger (Motor Only)
4	<b>1890</b>	Motor & Pump Combination with Coupling
5	<b>13412</b>	Oil Pump (Pump Only)
6	<b>13411</b>	Oil Pump Motor (Motor Only)
7	<b>15527</b>	Oil Pump & Motor Coupling (Between Motor & Pump)
8	<b>13410</b>	Air Filter for Front of Heat Exchanger
9	<b>19475</b>	Thermostat for Oil Cooler
10	<b>19119</b>	Filter Head with Sight Gauge 10 Micron Filter
11	<b>1953</b>	Oil Filter Replacement (10 Micron Filter - Standard)
12	<b>17465</b>	Oil Filter Replacement (3 Micron Filter - Optional)
13	<b>19340</b>	Suction Hose 1" x 8'-0" Long (U416 1" I.D. SEA 100R4)

Item	Part No.	Description - Options
	<b>21755</b>	Remote Weather Protection Housing
	<b>19919</b>	Cold Weather Kit
	<b>21895</b>	Oil Cooler Pump Seal

## BOL - Oil Cooler Parts

Item	Part No.	Description
	<b>20856</b>	Complete Oil Cooler Assembly - BOL
2	<b>20916</b>	Heat Exchanger and Motor Assembly
3	<b>20917</b>	Motor for Heat Exchanger (Motor Only)
4	<b>1890</b>	Motor & Pump Combination with Coupling
5	<b>13412</b>	Oil Pump (Pump Only)
6	<b>13411</b>	Oil Pump Motor (Motor Only)
7	<b>15527</b>	Oil Pump & Motor Coupling (Between Motor & Pump)
8	<b>19475</b>	Thermostat for Oil Cooler
9	<b>19119</b>	Filter Head with Sight Gauge 10 Micron Filter
10	<b>1953</b>	Oil Filter Replacement (10 Micron Filter - Standard)
11	<b>17465</b>	Oil Filter Replacement (3 Micron Filter - Optional)
12	<b>12793</b>	Hose 3/4" I.D. x 50' Long Hydraulic Low Pressure
13	<b>19340</b>	Suction Hose 1" I.D. x 8'-0" Long (U416 1" ID SEA 100R4)
14	<b>20982</b>	Duct Screwing Flange

Item	Part No.	Description - Options
	<b>21755</b>	Remote Weather Protection Housing
	<b>19919</b>	Cold Weather Kit



# PRODUCT ORDER FORM

Minnesota Elevator, Inc.  
**OIL COOLER - P/N 10248**

**ORDER INFORMATION:**

Order Date \_\_\_\_\_

Quantity	Part No.	Description	PPU	Total
	10248	Complete Oil Cooler Assembly	\$1994.00	

**BILLING INFORMATION:**

Company Name \_\_\_\_\_  
 Ordered/Authorized By \_\_\_\_\_  
 PO # \_\_\_\_\_  
 Billing Address \_\_\_\_\_  
 \_\_\_\_\_  
 Phone \_\_\_\_\_ Fax \_\_\_\_\_  
 E-mail (optional) \_\_\_\_\_

**SHIPPING INFORMATION:** *Estimated ship weight: 145 lbs. Size: 27" W x 36" H x 20" D*

Preferred Carrier \_\_\_\_\_  
*(if no preference is indicated, MEI will determine carrier)*

Ship Method     Next Day Air-AM Delivery     Next Day Air     2-Day Air     3-5 Day Ground

Freight Billing     Pre-Paid & Add     Collect     3rd Party

Shipping Address \_\_\_\_\_  
*(if different from above)*  
 \_\_\_\_\_  
 \_\_\_\_\_

Phone \_\_\_\_\_ Fax \_\_\_\_\_

**This order form may be mailed, faxed or e-mailed to:**  
 Minnesota Elevator, Inc. • 19336 607<sup>th</sup> Avenue • Mankato, MN 56001  
 ph: 507-245-3060 • fax: 507-245-4198 • email: mei@minnesotaelevator.com